

TP125 Series

Temperature Sensors

Rugged temperature sensor in a high pressure capsule ideal for hydraulic applications. Linear output makes it ideal for connecting into proprietary displays and data acquisition systems..

Specifications

Maximum Rated Pressure:	480 bar, 7,000 psi
Ambient Temperature:	5 to 40°C, 41 to 104°F
Fluid Temperature Range:	0 to 125°C, 32 to 257°F
Scaled Range:	0 to 150°C, 32 to 302°F
Accuracy:	±1°C, ±2°F
Compatible Fluids:	Mineral oils to ISO 11158. Other fluids consult sales office
Fluid Thread Connection:	BSPP, SAE
Material: Body Materials:	Stainless Steel, Aluminium
Seals:	FKM (EPDM seals consult sales office)
Weight:	0.8 kg, 0.18 lb

Make it **BLUE**[®]

Features

- Max. Temperature 125°C, 275°F.
- Male 4 pin M12 x 1.0 connector.
- Two thread forms available.



Sales Order Code

Please contact our technical sales to team to discuss any special order requirements.

MODEL NUMBER	OUTPUT TYPE	FLUID CONNECTION
TP125-mA-B	2 wire 4-20 mA	1/4" BSPP
TP125-mA-S	2 wire 4-20 mA	7/16" -20UN #4 SAE ORB MALE*

*O ring seal included in scope of delivery

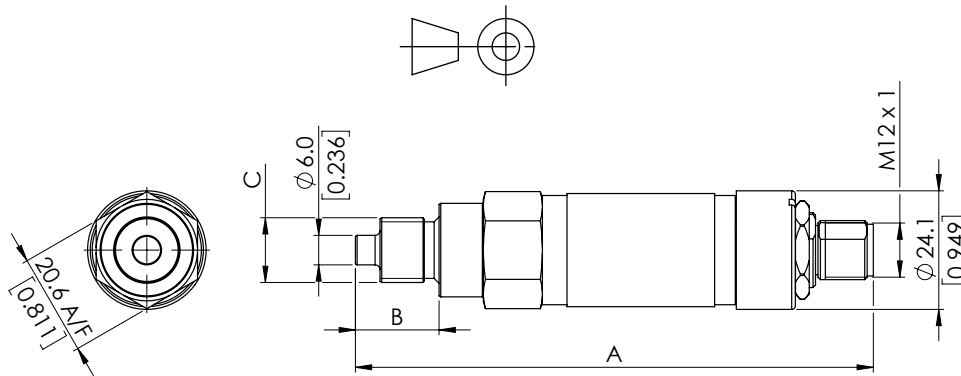
Electrical Specification

Supply Voltage (VS): 12 - 32 VDC
 Current Output: 4 - 20 mA, 2 wire loop, max loop resistance = (VS-9) x 50 ohms

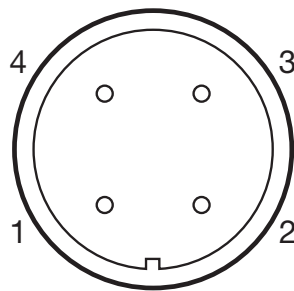
Installation Details

Dimensions in millimetres [Inches]

MODEL NUMBER	A		B		FLUID CONNECTION, C
	mm	Inch	mm	Inch	
TP125-mA-B	104	4-3/32	17	11/16	1/4" BSPP
TP125-mA-S	101	4	14	9/16	7/16" -20UN #4 SAE ORB MALE



Connecting Details



Pins
 1 = Loop +
 2 = Loop -
 3 = Loop -
 4 = CASE
 NB. pins 2 and 3 connected internally

Connecting cable (5m) FT10228-05
Extension cable (5m) FT10229-05
Connector (M12x1 5 pin) FT9880

Accessories

For Panel meters (readouts) see APM bulletin
 For Flow meters see CT, CTR or FlowHub bulletin

Calibration is included when Complete system (sensors, cable and panel meters) is purchased in one order.

Webtec reserve the right to make improvements and changes to the specification without notice